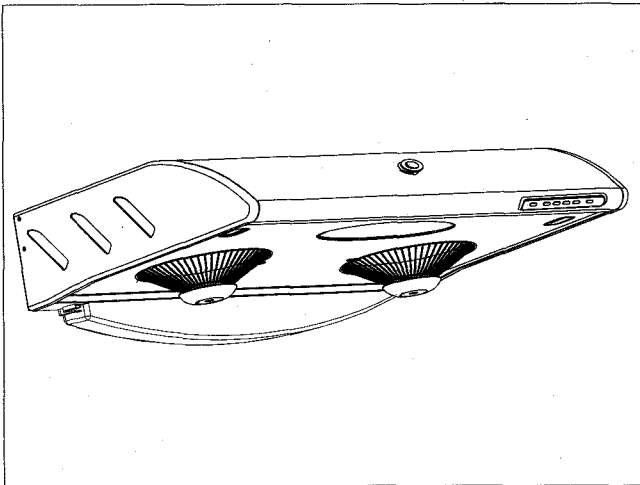

CYPRESS

Instruction Manual and Installation Instructions

Slimline - Electronic Control Auto Cleaning Range Hood Series



AC8830-ES
AC8830-EW

ENVIRONMENT OF OPERATION:

This appliance is designed for home or indoor environment use.

PRECAUTIONS:

※ **Please read this instruction manual carefully before installation.**

During the installation, power supply must be disconnected.

1. The installation should be carried out by a qualified technician.
2. Air ventilation inside kitchen must be maintained in good condition when cookerhood is used.
3. Do not put flame on the range hood. Please turn on hood before turning on the hob.
4. Repair service including replacement of main cord should only be carried out by a qualified electrician.
5. Cleaning process should follow the instructions as stated in this manual, could not change or move parts against instruction to avoid danger or damage.
6. In case of lamp broken, please disconnect the power before change. Release the whole bottom damper to change the old lamp. Maximum power is 40W / 120V lamp.
7. Just use normal tap water to fill the water tank.
8. If the supply cord is damaged, it must be replaced by the manufacturer, its service agent or similarly qualified persons in order to avoid a hazard.
9. In case of changes in technical specification, there would be no prior notice.

INSTALLATION:

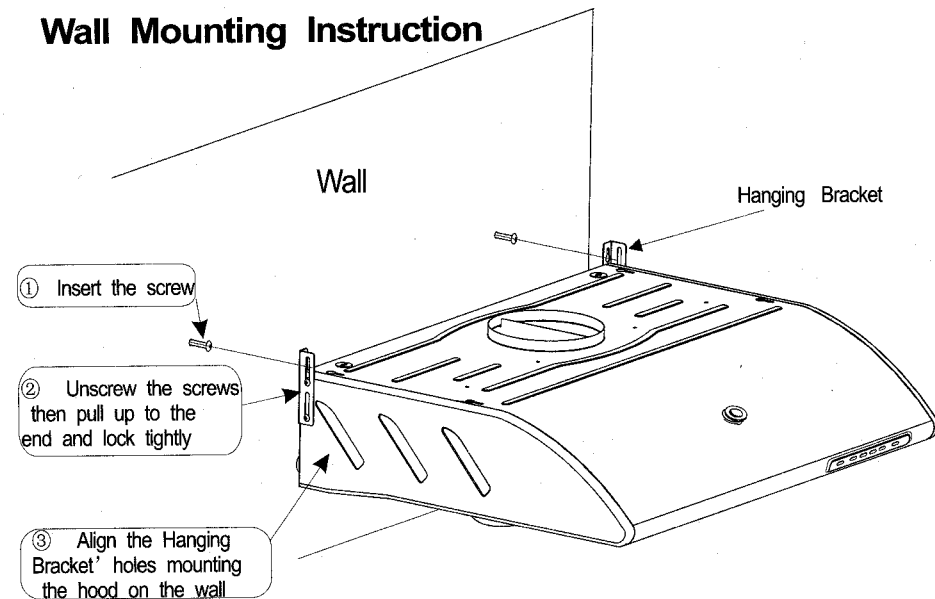
※ **This appliance must be earthed. installation must be carried out only when power supply is disconnected.**

1. Unpack the carton..
2. Detached the fan grille by removing the screws, then take polyform out from inside and reinstalled grille.
3. The air must not be discharged into a flue that is used for exhausting

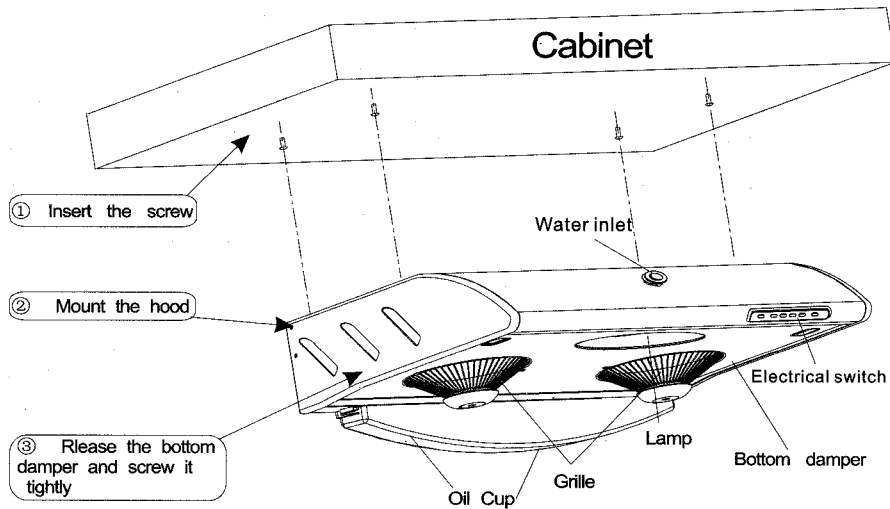
fumes from appliances burning gas or other fuels (not applicable to appliances that only discharge the air back into the room), regulations concerning the discharge of air have to be fulfilled.

4. The installation height is measured vertically from the bottom of hood to the top of stove, the minimum distance between the supporting surface for the cooking vessels on the hob and the lowest part of the range hood. When the range hood is located above a gas appliance, this distance shall be at least 65cm and the best recommended height is 65-80cm, avoid left-right or up-down inclination.
5. This hood could be wall-mounted or built-under kitchen cabinet.
6. 6-inch diameter exhaust duct is recommended to use in order to maximize suction efficiency. In case of 5-inch exhaust duct, an adapter is enclosed. To increase the efficiency of hood, the length of exhaust duct should be minimized, and avoid acute turns.
7. Check the voltage on the rating label which should match the national or local code.

Wall Mounting Instruction



Built-under Instruction



MAIN FUNCTION:

ELECTRONIC CONTROL AUTOMATIC CLEANING PROGRAMME:

1. Electronic control Functions with total convenience to modern families.
2. Carefully add water-detergent solution through the water inlet by the provided jar, Press “☼” for a manually cleaning programme which takes only 20 seconds to complete.
3. 4-fan speed control to suit different types of cooking.
4. The inner exhaust chamber is coated with easy cleaning teflon layer resulting in a more efficient cleaning.
5. The newly designed oil collecting device in 15° effectively drain the oil and water entirely. Efficient centrifugal impeller to separate oil and smoke.

OPERATION:

1. “☼” Button

Press once for lamp on and second for off.

2. “1” “2” “3” and “4” can turn on the range hood, press twice turn off. “1” is the lowest speed, “2” is the low speed, “3” is the medium speed, “4” is

the high speed, adjust the fan speed from 1 to 4 according to your requirements.

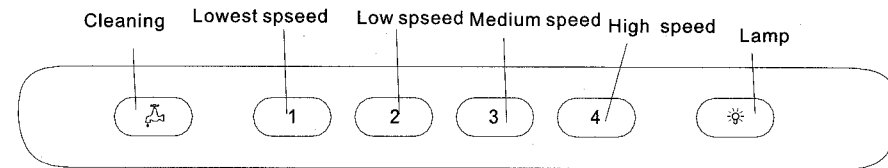
3. “☼” Button

Press “☼” start the automatic cleaning programme

Caution: Amount of cleaner and water follow the mark on the provided jar. (we recommend ratio of water to hood cleaner 20:1 to save the environment, as the inner compartment is coated with easy clean layer that makes cleaning very easy)

Do not put any substances other than those specific foamless hood cleaner and water into the cleaner unit, to blockage of its injection hole.

4. Turn off the hood when not using.



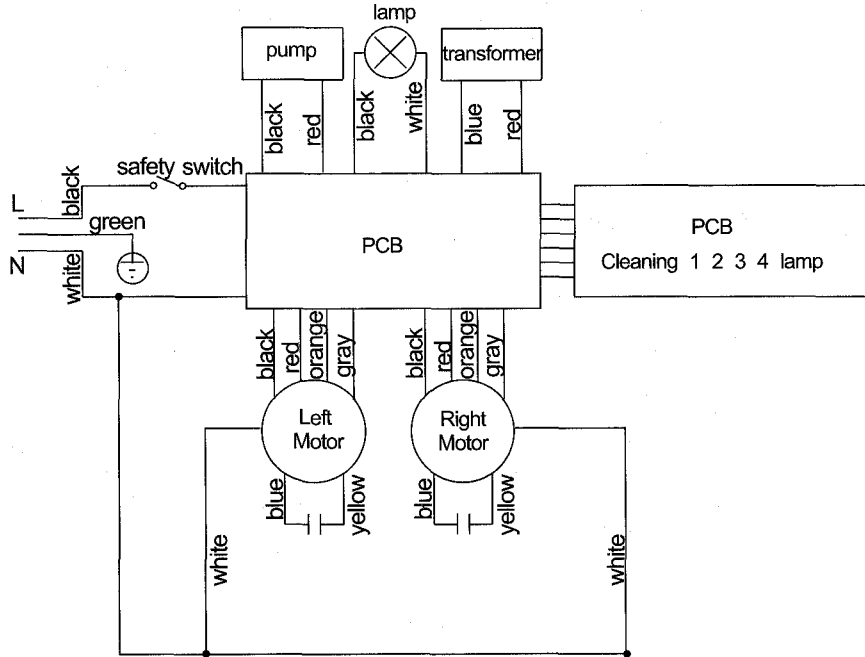
MAINTENANCE AND CLEANING:

▲ **Caution: Always disconnect the machine from the power supply before cleaning.**

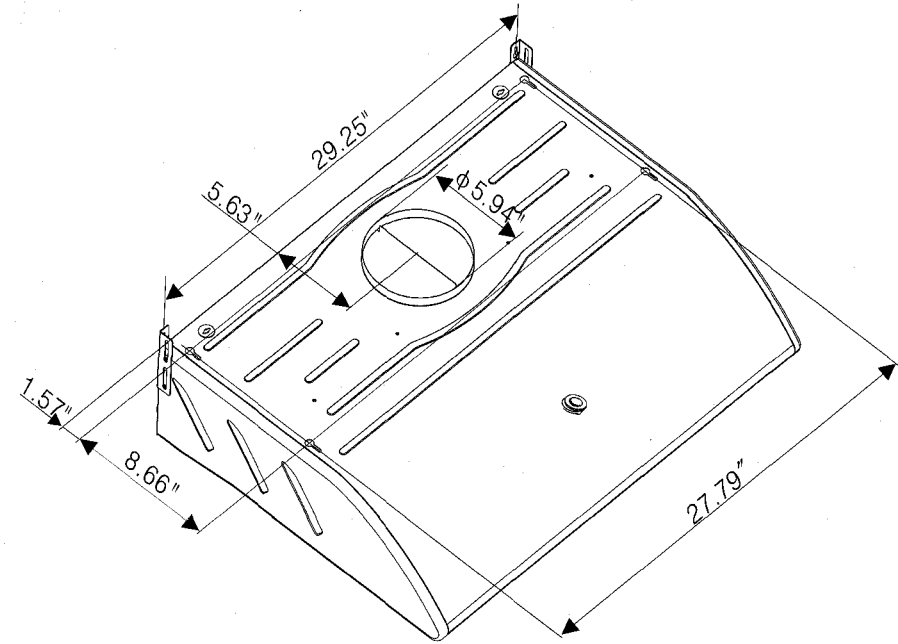
1. Please clean your hood regularly, do not use abrasive cleaner. Always clean the oil cups and retainers by detaching or turning in anti-clockwise and re-install, to prevent oil spillage and prolong the life of the hood.
2. After each operation, please wipe the machine with a dry cloth or a wet cloth.
3. Must use only foamless hood cleaner for cleaning process to avoid damage to the hood. Dilute the hood cleaner with water for cleaning (we recommend water to cleaner=20:1 to save the environment, as the inner compartment is coated with easy clean layer that makes cleaning very easy.)
4. Remove all utensils and food from stove before cleaning the hood.
5. This machine is equipped with auto out off device when the damper is dismantled.

6. Do not distort the exhaust fan, do not use abrasive cleaner.

WIRING DIAGRAM:



MOUNTING DIMENSIONS DIAGRAM



PERFORMANCE AND DIMENSIONS:

| MODEL | RATED VOLTAGE | RATED FREQUENCY | MOTOR WATTS | LAMP MAX WATTS | DIMENSION (inch) |
|-----------|---------------|-----------------|-------------|----------------|--------------------|
| AC8830-ES | 120V | 60Hz | 100W×2 | 40W | 29.7"×5.35"×20.47" |
| AC8830-EW | 120V | 60Hz | 100W×2 | 40W | 29.7"×5.35"×20.47" |

▲SPECIFICATIONS MAY CHANGE WITHOUT PRIOR NOTICE.